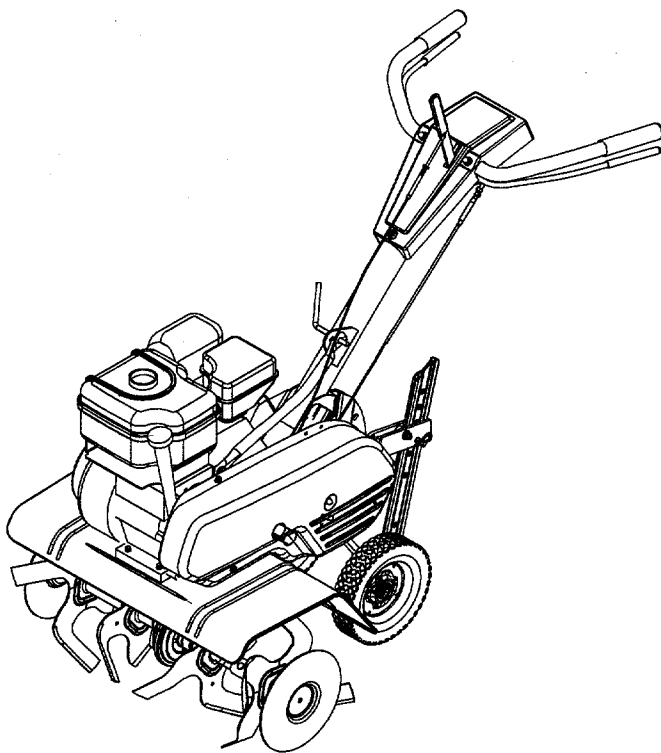


Cub Cadet

OPERATOR'S MANUAL



Front Tine Tiller Model 394

IMPORTANT: Read safety rules and instructions carefully before operating equipment.

Warning: This unit is equipped with an internal combustion engine and should not be used on or near any unimproved forest-covered, brush-covered or grass-covered land unless the engine's exhaust system is equipped with a spark arrester meeting applicable local or state laws (if any). If a spark arrester is used, it should be maintained in effective working order by the operator. In the State of California the above is required by law (Section 4442 of the California Public Resources Code). Other states may have similar laws. Federal laws apply on federal lands. A spark arrester for the muffler is available through your nearest engine authorized service dealer or contact the service department, P.O. Box 368023 Cleveland, Ohio 44136-9722.

CUB CADET CORP. P.O. BOX 368023 CLEVELAND, OHIO 44136-9722

SECTION 1: MAINTAINING SAFETY



This Warning symbol points out important safety instructions which, if not followed, could endanger the personal safety and/or property of yourself and others. Read and follow all instructions in this manual before attempting to operate your tiller. Failure to comply with these instructions may result in personal injury. When you see this symbol, heed its warning.

DANGER: Your tiller was built to be operated according to the rules for safe operation in this manual. As with any type of power equipment, carelessness or error on the part of the operator can result in serious injury. This tiller is capable of amputating hands and feet and throwing objects. Failure to observe the following safety instructions could result in serious injury or death.

WARNING: The Engine Exhaust from this product contains chemicals known to the State of California to cause cancer, birth defects or other reproductive harm.

1. GENERAL OPERATION

- Read this operator's manual carefully in its entirety before attempting to assemble this machine. Read, understand, and follow all instructions on the machine and in the manual(s) before operation. Be completely familiar with the controls and the proper use of the machine before operating it. Keep this manual in a safe place for future and regular reference and for ordering replacement parts.
- Your tiller is a powerful tool, not a plaything. Therefore, exercise extreme caution at all times. Your unit has been designed to perform one job: to till soil. Do not use it for any other purpose.
- Never allow children under age 14 to operate the unit. Children 14 years and older should only operate the unit under close parental supervision. Only responsible individuals who are familiar with these rules of safe operation should be allowed to use your unit.
- Do not operate tiller while under the influence of alcohol or drugs.
- Keep the area of operation clear of all persons, particularly small children and pets. Stop the engine when they are in the vicinity of your tiller.
- Wear sturdy, rough-soled work shoes and close fitting slacks and shirt. Shirt and slacks that cover the arms and legs and steel-toed shoes are recommended. Do not wear loose fitting clothes or jewelry and secure hair so it is above shoulder length. They can be caught in moving parts. Never operate a unit in bare feet, sandals or sneakers.
- Operate tiller only in daylight or good artificial light.
- Do not start tiller unless the shift lever (if provided) is in the neutral (N) position.
- Do not allow anyone to stand or walk in front of tiller when starting or running engine.
- Do not place feet or hands on or near the tines when starting the engine or while the engine is running.
- Never attempt to make depth bar, tine width, cable, handle, or wheel adjustments while the engine is running.
- Do not leave the tiller unattended with the engine running.
- Before attempting to remove rocks, bricks and other objects from tines, stop the engine and be sure the tines have stopped completely. Disconnect the spark plug wire and move it away from the spark plug.
- If your machine should start making an unusual noise or vibration, immediately stop the engine and allow the machine to come to a complete stop. Disconnect the spark plug wire and move it away from the spark plug. Take the following steps:
 - Inspect for damage.
 - Repair or replace any damaged parts.
 - Check for any loose parts and tighten to assure continued safe operation.
- Muffler and engine become hot and can cause a burn. Do not touch.
- Keep all shields, guards and safety devices in place and operating properly.
- Use caution when tilling near fences, buildings and underground utilities. Rotating tines can cause damage or injury.
- Do not operate engine if air cleaner or cover over carburetor air intake is removed, except for adjustment. Removal of such parts could create a fire hazard.
- Only use accessories approved for this machine by the manufacturer. Read, understand, and follow all instructions provided with the approved accessory.
- If situations occur which are not covered by this manual, use care and good judgment. Contact your dealer for assistance.

2. CHILDREN

- Tragic accidents can occur if the operator is not alert to the presence of small children. Children are often attracted to the tilling activity. Never assume that children will remain where you last saw them.

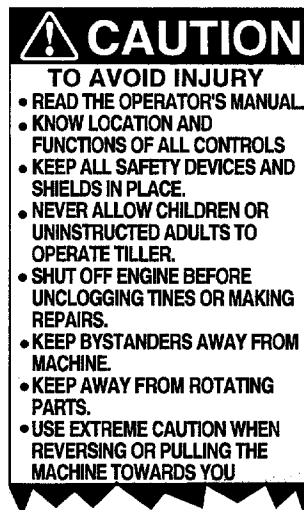
- Keep children out of the work area and under the watchful eye of a responsible adult other than the operator.
- Be alert and turn the unit off if a child enters the area.
- Never allow children under the age of 14 to operate the tiller.

3. SERVICE

- Use extreme care in handling gasoline and other fuels. They are extremely flammable and the vapors are explosive.
- Store fuel and oil in approved containers, away from heat and open flame, and out of the reach of children. Check and add fuel before starting the engine. Never remove gas cap or add fuel while the engine is running. Allow engine to cool at least two minutes before refueling.
- Replace gasoline cap securely and wipe off any spilled gasoline before starting the engine as it may cause a fire or explosion.
- Extinguish all cigarettes, cigars, pipes and other sources of ignition.
- Never refuel unit indoors because flammable vapors will accumulate in the area.
- Never store the machine or fuel container inside where there is an open flame or spark such as a gas hot water heater, space heater, clothes dryer or furnace.
- Never run your machine in an enclosed area as the exhaust from the engine contains carbon monoxide, which is a odorless, tasteless and deadly poisonous gas.
- To reduce fire hazard, keep engine and muffler free of leaves, grass, and other debris build-up. Clean up fuel and oil spillage. Allow unit to cool at least 5 minutes before storing.
- Before cleaning, repairing, or inspecting, make certain the tines and all moving parts have stopped. Disconnect the spark plug wire and keep wire away from spark plug to prevent accidental starting. Do not use flammable solutions to clean air filter.
- Keep all nuts, bolts, and screws tight to be sure the equipment is in safe working condition.
- Never tamper with safety devices. Check their proper operation regularly.
- Do not alter or tamper with the engine's governor setting. The governor controls the maximum safe operating speed of the engine. Overspeeding the engine is dangerous and will cause damage to the engine and to other moving parts of the machine.



WARNING — YOUR RESPONSIBILITY: Restrict the use of this power machine to persons who read, understand and follow the warnings and instructions in this manual and on the machine.



SECTION 2: ASSEMBLING YOUR TILLER

IMPORTANT: This unit is shipped without gasoline or oil in the engine. Be certain to service engine with gasoline and oil as instructed in the separate engine manual before operating your mower.

NOTE: Reference to right or left hand side of the tiller is observed from the operating position.

Removing Unit From Carton

- Remove staples, break glue on top flaps, or cut tape at carton end and peel along top flap to open carton.
- Remove loose parts if included with unit (i.e., operator's manual, etc.)
- Cut along corners, lay carton down flat, and remove packing material.
- Roll or slide unit out of carton and check carton thoroughly for loose parts.
- Extend control cables to the rear of the tiller and lay them on the floor. Be careful not to bend or kink control cables.

Setting Up Your Tiller

Attaching The Tailpiece And Depth Stake

- Remove the two self-tapping screws on the frame. Slide the tailpiece into the frame with the lower hole in the tailpiece toward the front. Secure with screws just removed. See Figure 1.

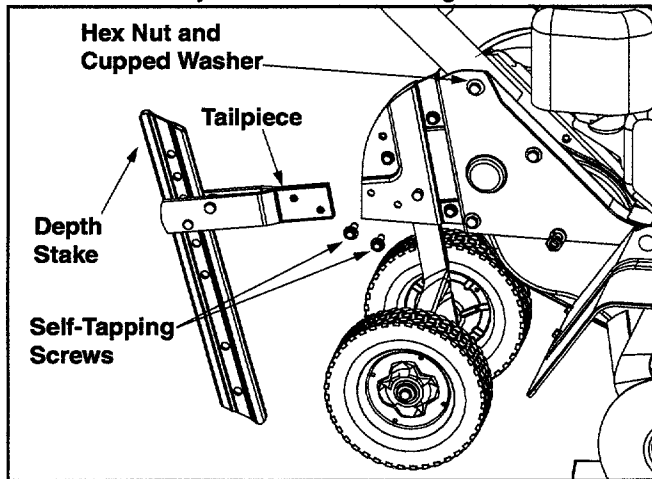


Figure 1

Attaching The Handle Assembly

- Remove the hex bolt and cupped washer from the top right side of the frame halves. Hold the cable guide bracket on the left side of the frame as it will fall when the bolt is removed. See Figure 1.
- Insert the handle assembly between the two frame halves. Insert the hex bolt just removed through the frame halves, handle assembly, and into the cable guide bracket (notch in cable bracket goes over the flange on the frame). Tighten securely.

- Remove the handle crank from the handle brace.
- Insert the handle crank through the welded bracket on the handle and into the threaded U-nut on the end of the handle brace. See Figure 2.
- Select one of the three handle height positions (three notches in welded bracket), and tighten the handle crank to secure the handle in desired position. Make certain the handle crank is seated securely into one of the three positions provided.

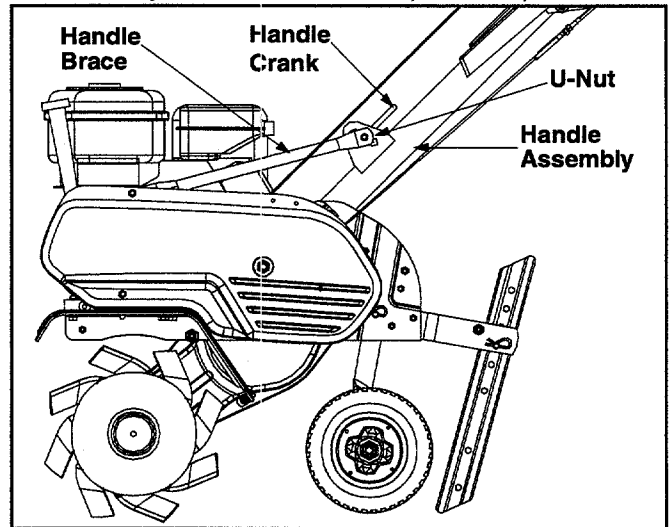


Figure 2

Attaching Clutch Control Cables

Attach the end of the forward clutch cable, which is located in the rear of the tiller, to the bracket underneath the handle assembly as follows:

- Loosen the hex nut on the threaded rod near the end of the cable, and move it up the rod as far as it will go. See Figure 3.

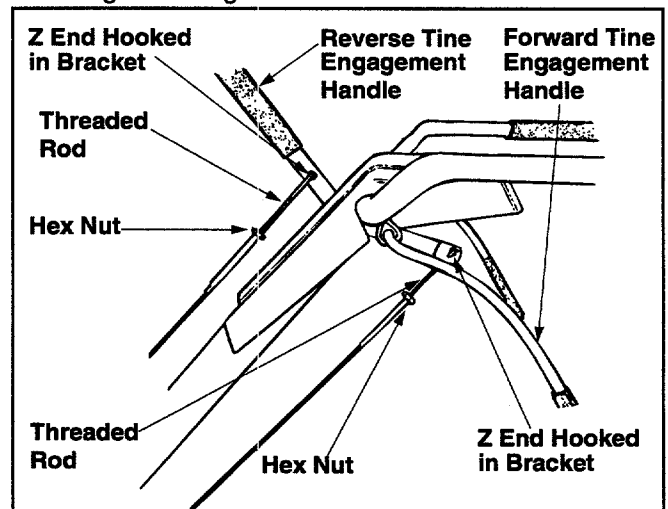


Figure 3

- Unthread the rod from the rest of the cable. Hook the "Z" end of the rod into the bracket underneath the handle assembly from the right hand side.

- Thread the rod back into the cable until the cable is straight. Do not tighten it enough to put any tension on the spring. See Figure 3.
- Thread the hex nut down against the end of cable. Use a pair of pliers and a wrench to lock the nut against the rod.

The reverse clutch cable is attached to the front of the tiller. Attach the end of the reverse cable to the reverse tine engagement handle above the handle assembly in the same manner as the forward cable. See Figure 3.

NOTE: Do not overtighten control cables. Too much tension may cause it to break when engaged.

Final Clutch Adjustment

To check the clutch cables, proceed as follows:

- Disconnect the spark plug wire and move it away from the spark plug to prevent accidental starting.
- Engage and release the forward tine engagement handle, then the reverse tine engagement lever. If an excessive noise is heard when releasing either the tine drive clutch handle or lever, the cable may be too loose. Adjust either the forward or reverse clutch cable by loosening the hex nut, threading the

rod into the cable one or two turns, then retightening the nut. See Figure 4.

- With tine engagement handles in neutral, pull the starter rope several times. **The tines should not turn.** If they turn forward, loosen the hex nut on the forward cable. If they turn toward the rear, loosen the hex nut on the reverse cable and unthread the rod from the cable two or three turns. Retighten the hex nut and check again for correct adjustment.

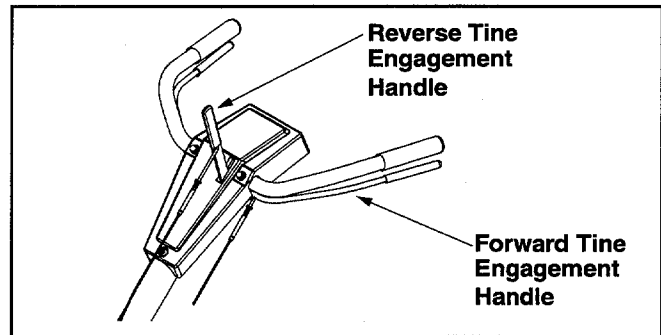


Figure 4

SECTION 3: KNOW YOUR TILLER

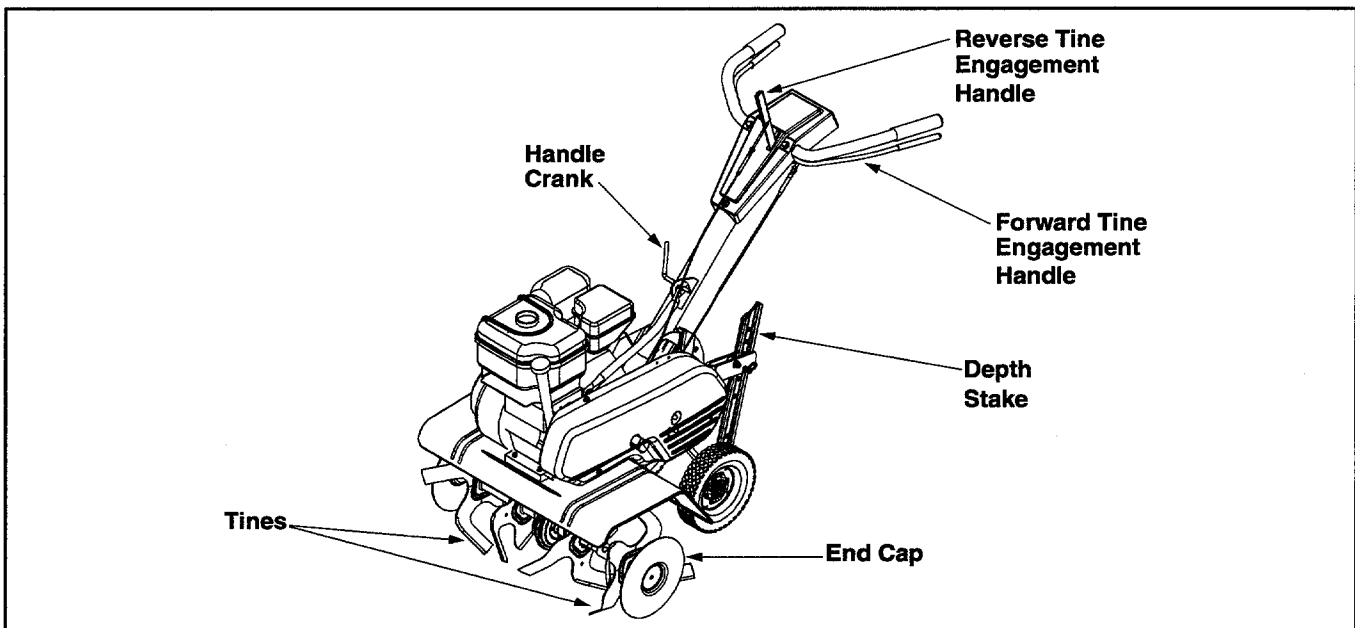


Figure 5

Read this operator's manual and safety rules before operating your tiller. Compare the illustrations in Figure 5 with your tiller to familiarize yourself with the location of various controls and adjustments. Save this manual for future reference.

Throttle Control

The throttle control lever is located on the engine. It controls the engine's speed and stops the engine.

Choke Lever

The choke lever is located near the throttle control. It is used to enrich the fuel mixture when starting a cold engine.

Forward Tine Engagement Handle

The forward tine engagement handle is located beneath the tiller handle. Squeezing the handle up against the tiller handle engages the tines. Release the handle to stop the tines. See Figure 5.

Reverse Tine Engagement Lever

The reverse tine engagement lever is located on top of the handle panel. Pull the lever to the rear to move the tines in reverse. Release the lever to stop the reverse tine drive. See Figure 5.

NOTE: *Never engage both the forward and reverse tine at the same time. Engaging both forward and reverse tine drives at the same time could damage the belt drives and cause the engine to stall.*

Depth Stake

The depth stake is located in the rear of the tiller and it controls the tilling depth. See OPERATING YOUR TILLER in Section 4

Tines And End Caps

The tilling tines and end caps are used to cultivate, furrow, and prepare your garden for seeding. The end caps are used to avoid tilled soil from overflowing onto unwanted areas.

Engine Controls

See the separate engine manual for the location and function of the controls on the engine.

Stopping Engine

- Move throttle control lever to STOP or OFF position.
- Disconnect spark plug wire from spark plug and ground against the engine.

SECTION 4: OPERATING YOUR TILLER

Gas And Oil Fill-Up

Service the engine with gasoline and oil as instructed in the separate engine manual packed with your tiller. Read instructions carefully.



WARNING: Never fill fuel tank indoors with engine running or until the engine has been allowed to cool for at least two minutes after running.

Starting Engine



WARNING: Be sure no one is standing in front of the tiller while the engine is running or being started.

- Attach spark plug wire to spark plug. Make sure certain the metal cap on the end of the spark plug is fastened securely over the metal tip on the spark plug.
- Make certain the tine engagement controls are in the neutral position.
- Place the throttle control in the FAST position.
- Move choke lever to CHOKE position. A warm engine requires little or no choke.
- Grasp starter handle and pull rope out slowly until engine reaches start of compression cycle (rope will pull slightly harder at this point). Let the rope rewind slowly.
- Pull rope with a rapid, continuous, full arm stroke. Keep a firm grip on starter handle. Let rope rewind slowly. Do not let starter handle snap back against starter. Repeat until engine starts.
- When engine starts, move choke lever on engine halfway between CHOKE and RUN. As the engine warms up, move the lever to RUN position.

Using Your Tiller

Your tiller is a precision built machine designed for seed bed preparation, cultivating, furrowing, and mulching. It is engineered to minimize the hardest work in the vegetable or flower garden, to till the soil for planning and cultivating, and to perform many other useful labor saving tasks in the garden. With the proper amount of care and maintenance, this machine will provide the owner with many years of service.

Wheel Position

The tiller is shipped with the wheels adjusted such that the unit sits level. While tilling, as the tines enter the ground and the front of the tiller lowers, the wheels must be raised to level the unit, which is essential for proper engine operation. This adjustment is made by removing the clevis pin and hairpin clip from wheel yoke, raising the wheels to the desired height, and replacing the clevis pin and hairpin clip. See Figure 6.

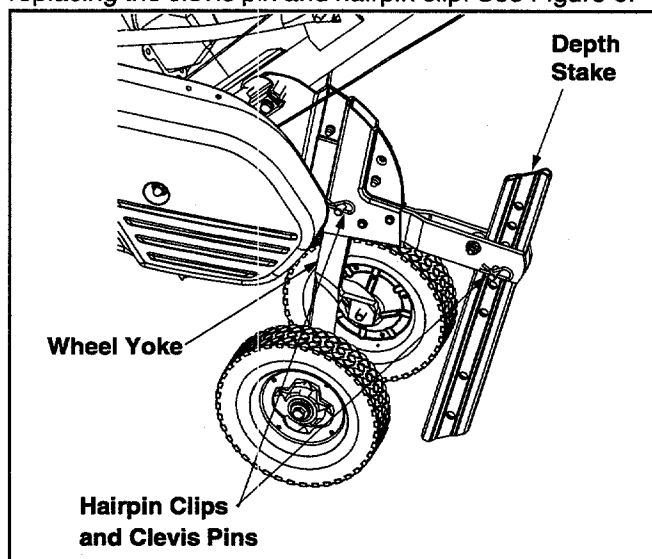


Figure 6

Removing End Caps

The end cap, which are used to avoid tilled soil from overflowing onto unwanted areas, are removable from the outer axle. Remove the hairpin clip and clevis pin that is securing each end cap and slide end cap off the axle. See Figure 7.

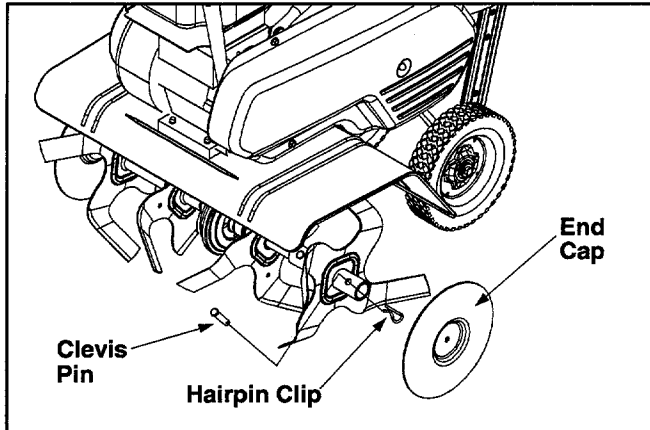


Figure 7

Controlling Speed And Tilling Depth

Wheel Yoke Adjustment: Place wheel yoke so that the wheels are forward (closest to the tines) for shallow tilling, cultivating, and transport. The forward speed will increase. Turn yoke around (farthest point from the tines) for deep tilling and forward speed will decrease in this position. See Figure 8.

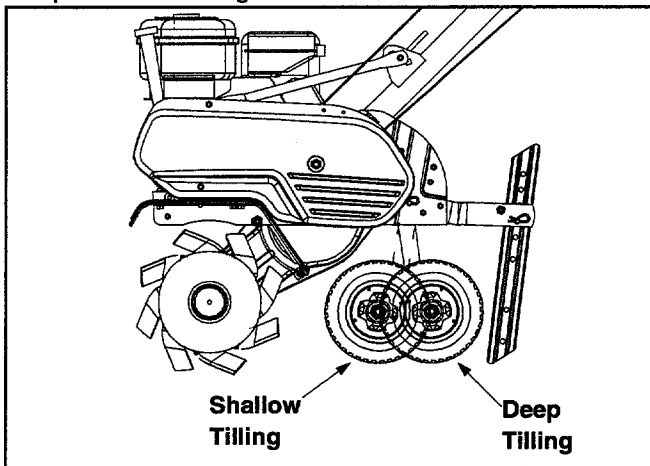


Figure 8

Depth Stake Adjustment: The depth stake acts as a brake for the tiller and controls the depth and speed at which the machine will operate. Remove the clevis pin and hairpin clip to raise or lower depth stake. Refer to Figure 6.

By increasing the depth of the depth stake, the forward speed of the machine is reduced, and the working depth is increased. When the depth stake is raised, the working depth of the machine is reduced and the forward speed is increased. The working depth of the machine may be predetermined by setting the depth stake and wheels so that the wheels are about four inches from the ground when the tines and depth stake

are resting on the ground. This setting will permit a working depth of about four inches. When presetting the working depth, the handles should be adjusted so the hand grips are a little above waist height because the tiller will be lower when the tines and depth stake penetrate the ground. See Figure 9.

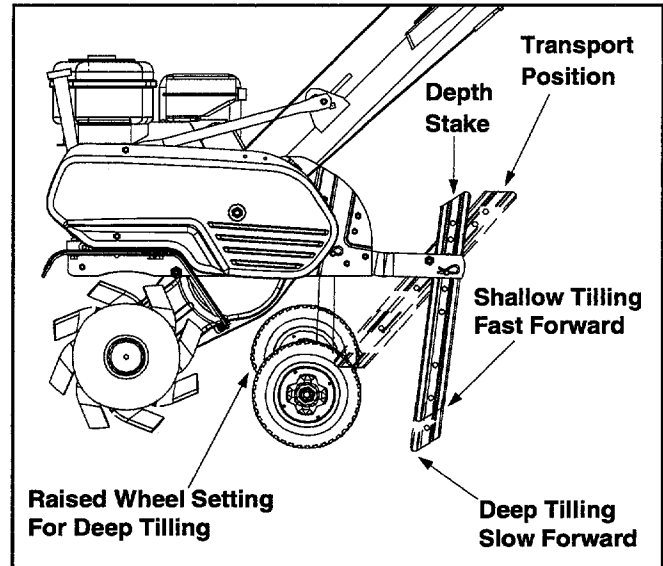


Figure 9

When tilling, leave approximately 8 inches of untilled soil between the first and second tilling paths, then make the third path between the first and second. In some soils, the desired depth is obtained by going over the garden two or three times. In the latter case, the depth stake should be lowered before each succeeding pass over the garden. Passes should be made across the length and width of the garden alternately. Rocks which are turned up should be removed from the garden area. See Figure 10.

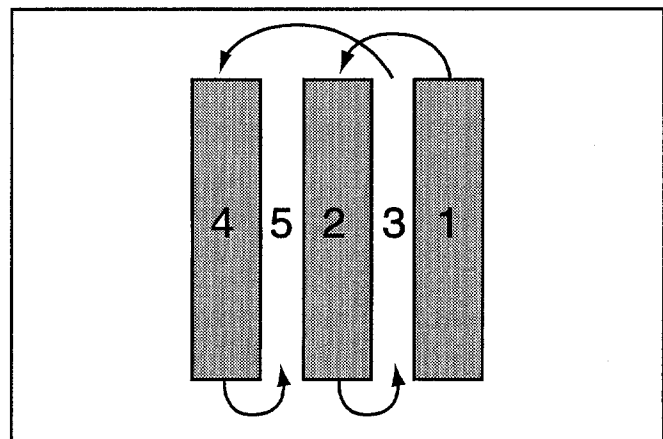


Figure 10

Handle Pressure: Further control of tilling depth and travel speed can be obtained by variation of pressure on the handles. A downward pressure on the handles will reduce the working depth and increase the forward speed. An upward pressure on the handles will

increase the working depth and reduce the forward speed. The type of soil and working conditions will determine the actual setting of the depth stake and the handle pressure required.

Transporting The Tiller

To transport the tiller to or from the garden, pivot the depth stake forward and out of the way. With the throttle control in SLOW position, the unit will walk freely on top of the lawn. If the operator does not allow the tiller to move freely, the unit will start to till the surface.

Cultivating

For cultivating, a two to three inch depth is desirable. Setting the wheels and depth stake so that the wheels are about two inches above the ground while the tiller is resting on the tines and depth stake will allow the machine to work at cultivating depth. The throttle should be set to control forward movement to a slow walking speed. With the outer tine installed, the working width of the machine is 22 or 24 inches. For cultivation, this may be reduced to 13 inches by removing the outer tines. See Tine Width Adjustment in Section 5. When laying out plant rows, be sure to allow enough width to permit cultivation between the rows. See Figure 11.

The tiller has many uses other than tilling and cultivating a garden. One of these is the preparation of lawn area for seeding. The tiller will prepare a deep seed bed which will be free of hard untilled spots, allowing a better stand of grass to grow. The tiller is

very useful for loosening hard soil for excavation with a shovel. No tedious hand work will be necessary. Your tiller may be used for mixing compost in the pile, or for mixing it with the soil in your garden. This should be done after the soil has been broken to the full working depth. The compost should be worked in to a depth of six to seven inches. This may be done by working the length of the garden, and then by making separate passes across its width. The addition of decayed organic matter will substantially increase the fertility of your garden. For proper decaying action, fertilizer should be applied and worked in with the mulch materials. Breaking up leaves and straw and mixing it with several inches of soil causes the soil to hold moisture longer and allows proper aeration of the plant root system. This retards the growth of weeds.

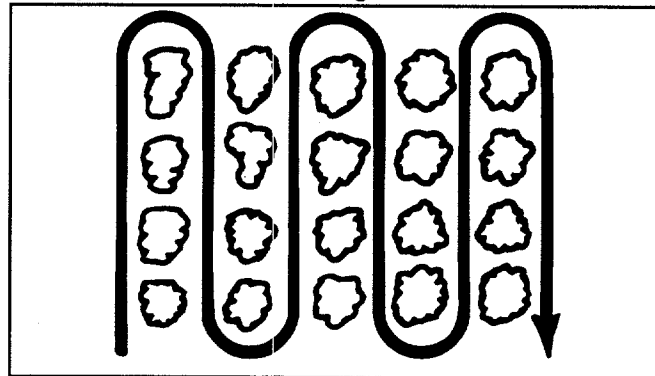


Figure 11

SECTION 5: MAKING ADJUSTMENTS



WARNING: Do not at any time make any adjustments without first stopping engine and disconnecting spark plug wire.

Tine Width Adjustment

The tilling width of the unit is 22 inches. Tilling width can be increased to 24 inches by removing the clevis pins and hairpin clips, sliding the outer tine out one inch, and securing in this position with the clevis pins and hairpin clips. For cultivation, reduce the tine width to 13 inches by removing the outer tines completely. See Figure 12.

Wheel Adjustment

To adjust the wheel yoke and wheel position, refer to SECTION 4: OPERATING YOUR TILLER.

Depth Stake Adjustment

To adjust the depth stake, refer to SECTION 4: OPERATING YOUR TILLER.

Clutch Control Adjustments

To adjust the clutch controls refer to SECTION 2: ASSEMBLING YOUR TILLER.

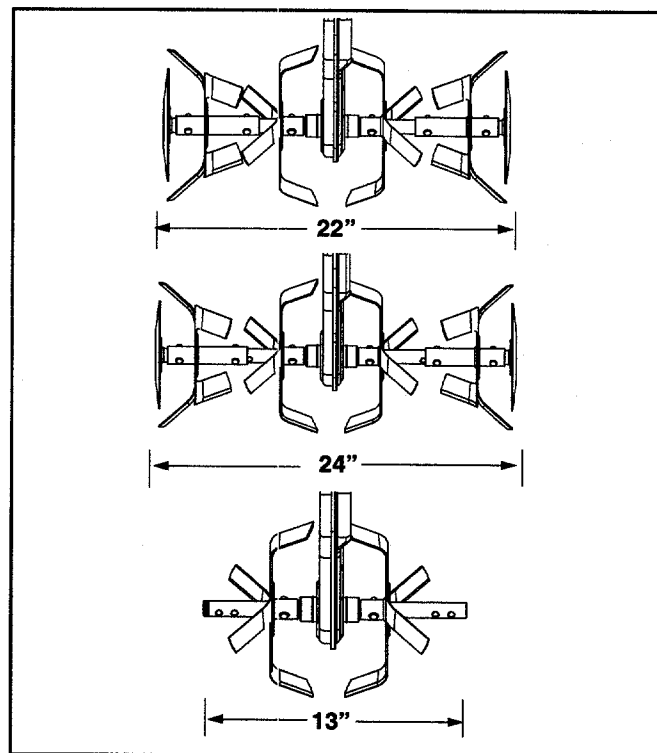


Figure 12

SECTION 6: MAINTAINING YOUR LAWN MOWER

Lubrication



Always stop engine and disconnect spark plug wire before cleaning, lubricating or doing any kind of maintenance on your tiller.

Pivot Points: Remove the belt cover and lubricate all moving parts and pivot points at least once a season.

Chain Drive: The chain case is lubricated and sealed at the factory.

Engine: Follow the separate engine manual packed with you unit for lubrication instructions.

Maintenance

Engine

Refer to the separate engine manual for all engine maintenance instructions.

- Maintain engine oil as instructed in the separate engine manual packed with your unit.
- Service air cleaner every 25 hours under normal conditions. Poor engine performance and flooding usually indicate that the air cleaner should be serviced. To service the air cleaner, refer to the separate engine manual packed with your unit.
- The spark plug should be cleaned and the gap reset once a season.

Clean the engine regularly with a cloth or brush. Keep the cooling system (blower housing area) clean to permit proper air circulation which is essential to engine performance and life. Be certain to remove all dirt and combustible debris from muffler area.

Cleaning Tine Area

Clean the underside of the tine shield after each use. The dirt washes off the tines easier if washed off immediately instead of after it dries.

Belt Removal And Replacement

Reverse Drive Belt

- Disconnect and ground the spark plug wire against the engine.
- Remove the belt cover from the left side of the tiller by removing two self tapping screws and flat washers from the front of belt cover. See Figure 13.
- Remove the hex nut and flat washer from the side of the belt cover. Remove belt cover.
- Lift the belt off the transmission pulley.

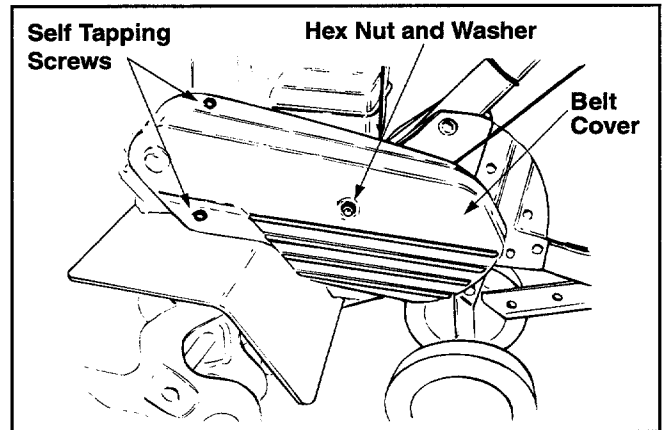


Figure 13

- Remove the hex nut which secures the reverse idler pulley to the idler bracket. Slide idler pulley out and remove the belt. See Figure 14.

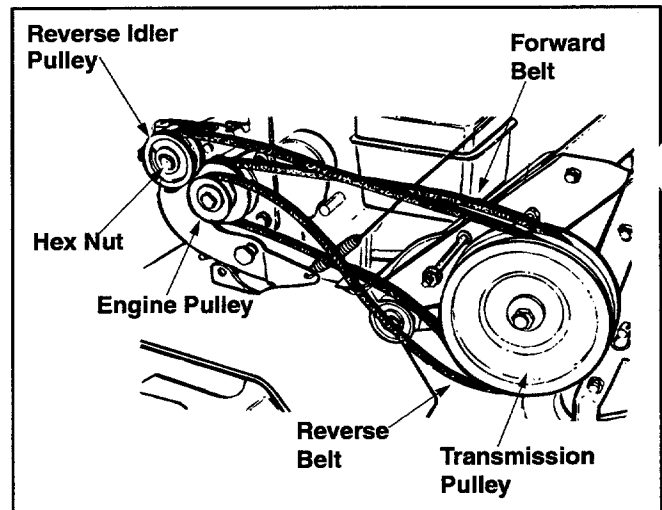


Figure 14

- Reassemble the new belt following instructions in reverse order. Make certain the reverse drive belt is assembled with the wide side of the belt against the transmission and engine pulleys. Be certain to adjust the clutch control as instructed in SECTION 2: ASSEMBLING YOUR TILLER.

Forward Drive Belt

- Remove the reverse drive belt as instructed in the previous section.
- Remove the belt keeper from the idler pulley by removing the idler pulley nut. See Figure 15.
- Lift belt off the idler pulley and transmission pulley and remove bolt from engine pulley.

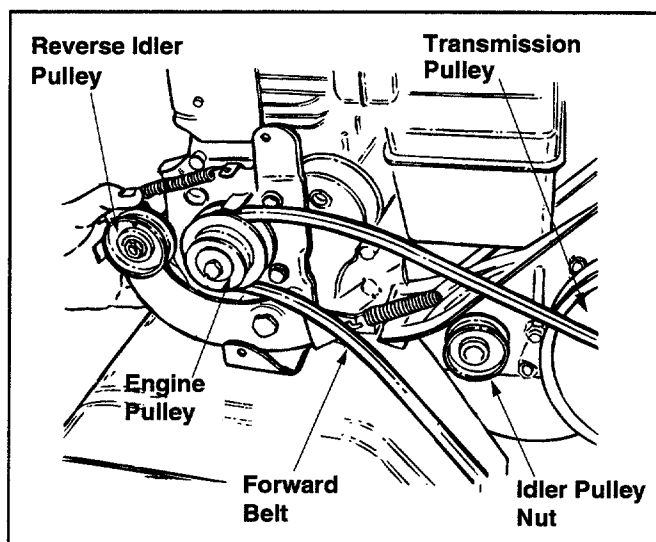


Figure 15

- Push reverse idler pulley bracket forward and remove engine pulley and belt.
- Reassemble the new belt following instructions in reverse order. Make certain the forward drive belt is assembled with the wide side of the belt away from the transmission and engine pulleys. Be certain to adjust the clutch control as instructed in SECTION 2: ASSEMBLING YOUR TILLER.

Storing Your Tiller

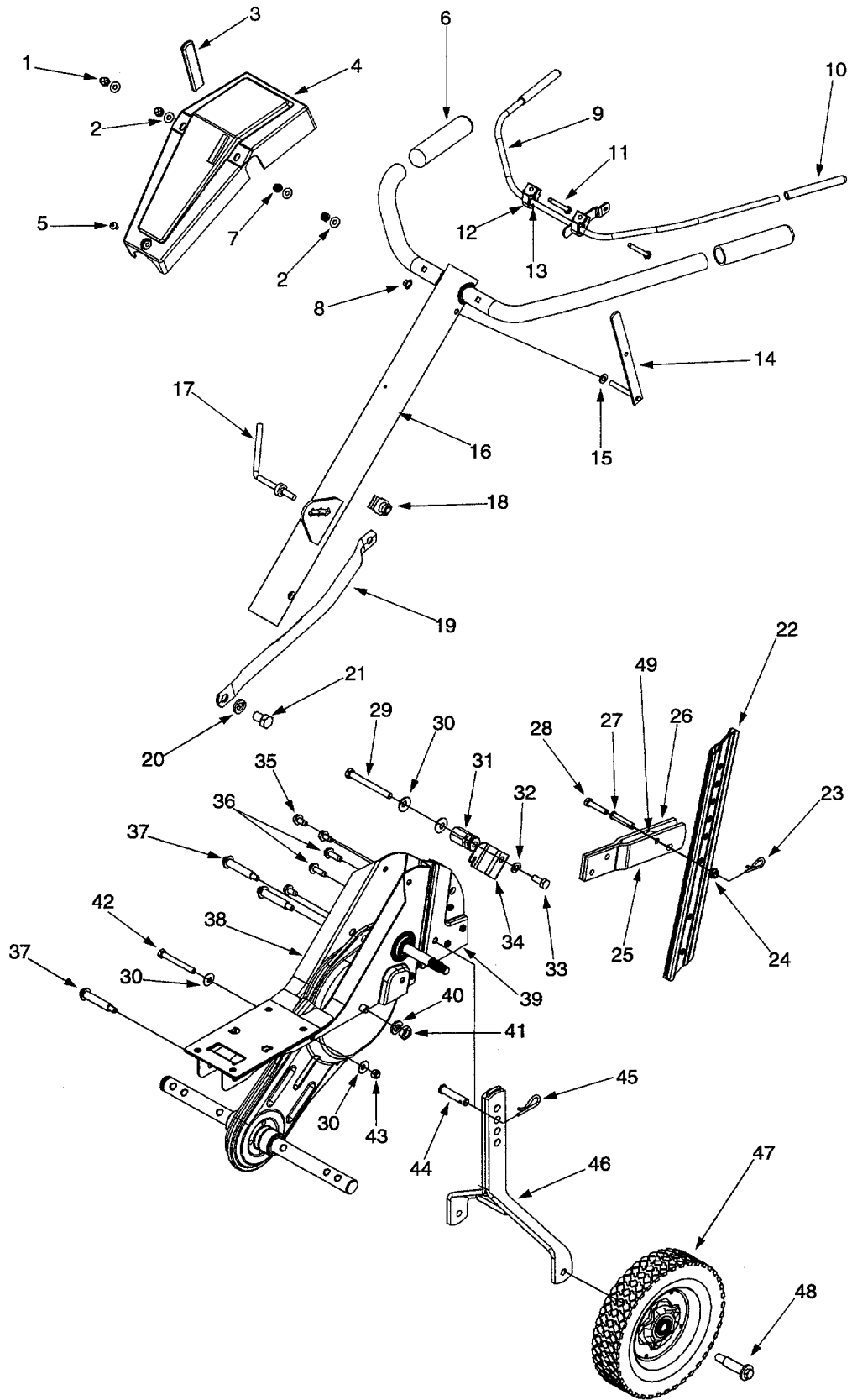
- Lubricate and clean tiller according to the lubrication and maintenance section.
- Wipe tines with oiled rag to prevent rust.
- Refer to engine manual for correct engine storage instructions.
- Store in a clean, dry area. Do not store next to corrosive materials, such as fertilizer.

SECTION 7: TROUBLESHOOTING

Problem	Cause	Remedy
Engine fails to start	<ol style="list-style-type: none"> 1. Spark plug wire disconnected. 2. Fuel tank empty or stale fuel. 3. Throttle control lever not in correct starting position. (If Equipped) 4. Choke not in ON position. 5. Blocked fuel line. 6. Faulty spark plug. 7. Engine flooded 	<ol style="list-style-type: none"> 1. Connect wire to spark plug. 2. Fill tank with clean, fresh gasoline. 3. Move throttle lever to start position. 4. Move switch to ON position. 5. Clean fuel line. 6. Clean, adjust gap, or replace. 7. Wait a few minutes to restart, but do not prime.
Engine runs erratic	<ol style="list-style-type: none"> 1. Spark plug wire loose. 2. Unit running on CHOKE. 3. Blocked fuel line or stale fuel. 4. Vent in gas plugged. 5. Water or dirt in fuel system. 6. Dirty air cleaner. 7. Carburetor out of adjustment. 	<ol style="list-style-type: none"> 1. Connect and tighten spark plug wire. 2. Move choke lever to OFF position. 3. Clean fuel line; fill tank with clean, fresh gasoline 4. Clear vent. 5. Drain fuel tank. Refill with fresh fuel. 6. Clean air cleaner. 7. Adjust carburetor.
Engine overheats	<ol style="list-style-type: none"> 1. Engine oil level low. 2. Dirty air cleaner. 3. Air flow restricted. 4. Carburetor not adjusted properly. 	<ol style="list-style-type: none"> 1. Fill crankcase with proper oil. 2. Clean air cleaner. 3. Remove blower housing and clean. 4. Adjust carburetor.
Tines do not engage	<ol style="list-style-type: none"> 1. Foreign object lodged in tines. 2. Tine clevis pin(s) missing. 3. Pulley and idler not in correct adjustment. 4. Control cable not adjusted properly. 5. Belt worn and/or stretched. 	<ol style="list-style-type: none"> 1. Dislodge foreign object. 2. Replace tine clevis pin(s). 3. Take unit to authorized service dealer. 4. Adjust control cable. 5. Replace belt.

NOTE: For repairs beyond the minor adjustments listed above, contact your nearest authorized service dealer.

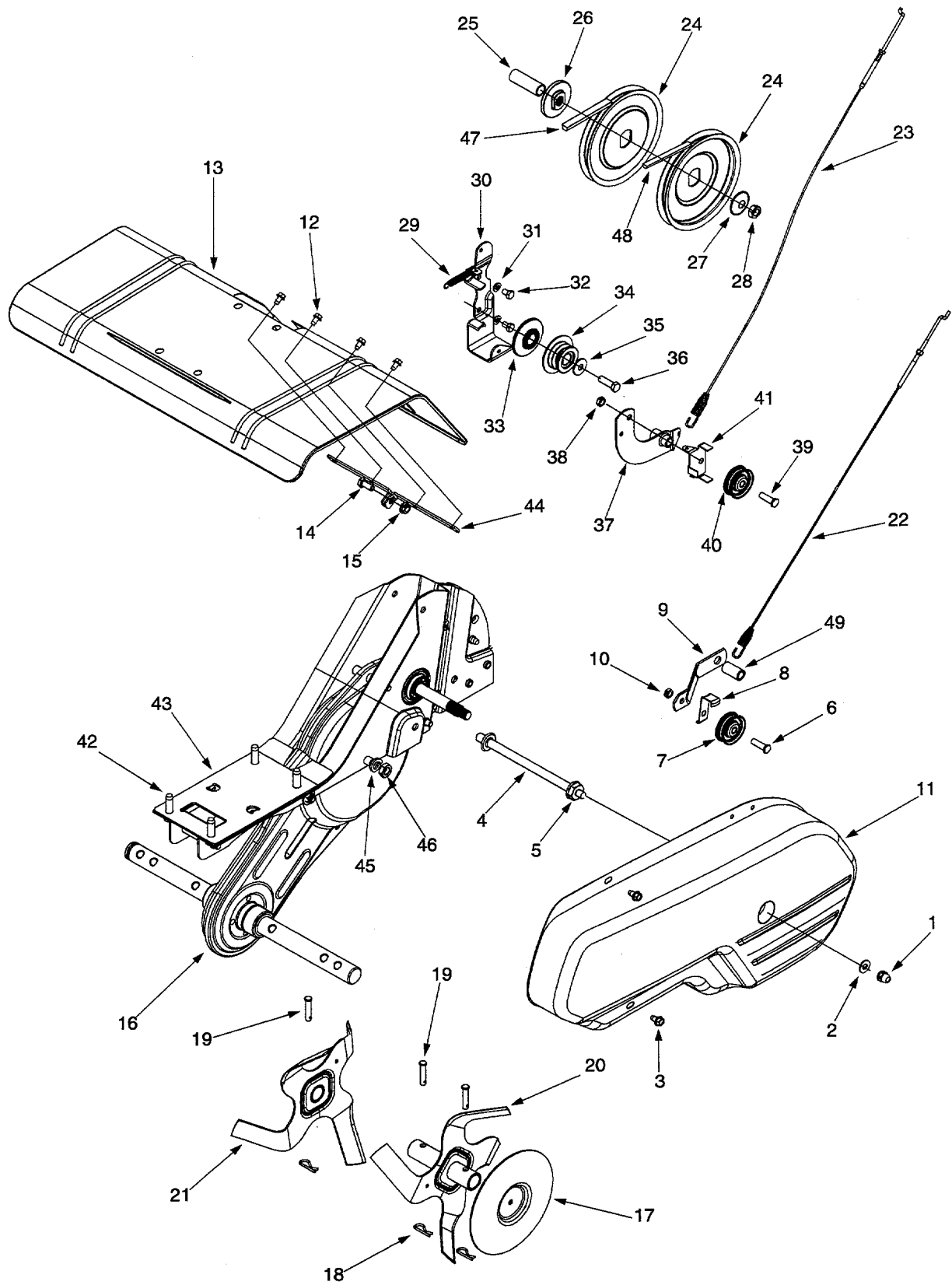
Model 394



Model 394

Ref. No.	Part No.	Part Description	Ref. No.	Part No.	Part Description
1.	712-0442	Acorn Lock Nut 1/4-20	26.	786-0004	Tail Piece Bracket (R.H.)
2.	736-3020	Flat Washer .271" I.D. x .630" O.D.	27.	711-0415	Clevis Pin
3.	720-0270A	Reverse Handle Grip	28.	710-0805	Hex Bolt 5/16-18 x 1.5" Lg.
4.	731-1600	Handle Cover	29.	710-0189	Hex Bolt 5/16-18 x 3" Lg.
5.	710-0779A	Truss Mach. Scr. #10 x 1/2" Lg.	30.	736-0242	Wash. Bell. .340" I.D. x .872" O.D.
6.	720-0274	Grip-Handle	31.	711-1036	Spec. Hex Nut
7.	712-0287	Hex Nut 1/4-20 Gr.2	32.	736-0119	L-Wash. 5/16" I.D.
8.	726-0135	Cap Speed Nut	33.	710-3008	Hex Bolt 5/16-18 Gr. 5
9.	686-0083	Clutch Handle Assembly	34.	786-0129	Cable Guide Bracket
10.	720-0269	Grip-Clutch	35.	710-0604	Hex Wash Screw 5/16-18 x .62"
11.	710-0641	Hex Bolt 1/4-20 x 2.25" Lg. Gr.5	36.	710-0602	Hex Wash. Hd. TT-Tap Scr.
12.	731-1645A	Clutch Handle Holder	37.	738-0934	Shdl. Bolt 5/16-18
13.	736-0140	Flat Washer .385" I.D. x .62" O.D.	38.	786-0138	Frame (R.H.)
14.	686-0014A	Reverse Handle Ass'y	39.	786-0139	Frame (L.H.)
15.	736-0264	Flat Washer .344" I.D. x .62" O.D.	40.	736-0171	Lock Washer 7/16
16.	649-0039	Handle Assembly Comp.	41.	712-0240	Jam Nut 7/16-20 Gr. 2
17.	647-0042	Adjustment Crank	42.	710-0176	Hex Bolt 5/16-18 x 2.75" Lg.
18.	726-0211	U Nut 5/16-18	43.	712-0429	Hex Nut 5/16-18 Thd.
19.	749-1101	Handle Brace	44.	711-0415	Clevis Pin
20.	736-0921	Lock Washer 1/2	45.	714-0149B	Cotter Pin
21.	710-3194	Hex Bolt 1/2-20 Gr. 5	46.	686-0081A	Wheel Hanger Brkt. Assy
22.	786-0005	Depth Bar	47.	734-1566	Wheel Ass'y 8" x 1.75"
23.	714-0149B	Cotter Pin	48.	738-0929	Shoulder Screw .496 x 1.445
24.	712-3004A	Hex Flange L-Nut 5/16-18	49.	750-0890	Spacer
25.	786-0003	Tail Piece Bracket (L.H.)			

Model 394



Model 394

Ref. No.	Part No.	Part Description	Ref. No.	Part No.	Part Description
1.	712-0392	Hex L-Stop nut 1/4-28	25.	750-0892	Spacer .64" Dia. x 2.4" Lg.
2.	736-3020	Flat Wash. .266" I.D. x .625" O.D.	26.	748-0350	Pulley Mounting Adapter
3.	710-0599	Hex Washer Screw 1/4-20 x .5"	27.	736-0112	Bell-Wash. .525" I.D. x 1.5" O.D.
4.	711-0920	Belt Cover Bolt	28.	712-3029	Hex Jam Nut 1/2-20 Thd. (Gr. 5)
5.	712-3004A	Hex Flange Top L-Nut 5/16-18	29.	732-0697	Return Spring
6.	710-0723	Hex Hd. Scr. 3/8-16 x 1.25" Lg.	30.	786-0040B	Reverse Bracket
7.	756-0313	FI-Idler 2.12" O.D.	31.	736-0119	Lock Washer 5/16
8.	786-0149	Idler Belt Keeper	32.	710-0107	Hex Bolt 5/16-24 x .5"
9.	786-0144	Idler Bracket	33.	756-0971	Inner Engine Pulley Half
10.	712-0266	Hex Cent. Jam Nut 3/8-16 Thd.	34.	756-0600	Outer Engine Pulley Half
11.	786-0057	Belt Cover	35.	736-0452	Bell Washer .396" I.D. x 1/14" O.D.
12.	710-0599	Hex Washer Screw 1/4-20 x .5"	36.	710-0191	Hex Bolt 3/8-24 x 1.25"
13.	786-0043A	Tine Shield	37.	686-0013	Reverse Arm Assembly
14.	710-3008	Hex Hd. Cap Scr. 5/16-18 x .75" Lg	38.	712-0266	Hex Cent. Jam Nut 3/8-16 Thd.
15.	712-3004A	Hex Flange Top L-Nut 5/16-18	39.	710-0723	Hex Cap Bolt 3/8-16 x 1.25"
16.	686-0091	Chain Case Assembly Complete	40.	756-0313	FI-Idler 2.12" O.D.
17.	686-0106	Tine Disc Ends	41.	786-0041	Belt Keeper
18.	714-0149B	Internal Cotter Pin	42.	710-0502A	Hex Washer Screw 3/8-16 x 1.25"
19.	711-0415	Clevis Pin	43.	786-0145A	Engine Plate
20.	642-0023	Outer Tine Assembly L.H.	44.	786-0053	Tine Shield Bracket
	642-0024	Outer Tine Assembly R.H.	45.	736-0171	L-Wash. 7/16" I.D.
21.	642-0003	Inner Tine Assembly L.H.	46.	712-0240	Hex Nut 7/16-20 Thd.
	642-0002	Inner Tine Assembly R.H.	47.	754-0428	V-Belt (Forward)
22.	746-0918	Forward Clutch Cable	48.	754-0429	V-Belt (Reverse)
23.	746-0953	Reverse Clutch Cable	49.	738-0102	Shld. Bolt
24.	756-0585	FI-Pulley 6" Dia.			

MANUFACTURER'S LIMITED WARRANTY FOR:



TWO-YEAR RESIDENTIAL ONE-YEAR COMMERCIAL

Proper maintenance of your Cub Cadet equipment is the owner's responsibility. Follow the instructions in your operator's manual for correct lubricants and maintenance schedule. Your Cub Cadet dealer carries a complete line of quality lubricants and filters for your equipment's engine, transmission, chassis and attachments.

Riding mowers, lawn tractors, garden tractors, Cub Cadet attachments and home maintenance products

This limited warranty for residential users, covers any defect in materials or workmanship in your Cub Cadet equipment for two years from the date of purchase for the first user purchaser. We will replace or repair any part or parts without charge through your authorized Cub Cadet dealer.

Batteries have a one-year prorated limited warranty with 100% replacement during the first three months.

V-belts for either the traction drive or any attachments are covered for one year only.

Cub Cadet equipment used commercially is warranted for one year only.

(Commercial use is defined as either having hired operators or used for income producing purposes.)

Items not covered

The warranty does not cover routine maintenance items such as lubricants, filters (oil, fuel, air and hydraulic), cleaning, tune-ups, brake and/or clutch inspection, adjustments made as part of normal maintenance, blade sharpening, set-up, abuse, accidents and normal wear. It does not cover incidental costs such as transporting your equipment to and from the dealer, telephone charges or renting a product temporarily to replace a warranted product.

There is no other express warranty.

How to obtain service

Contact your authorized Cub Cadet servicing dealer who sold you your Cub Cadet equipment. If this dealer is not available, see the Consumer Yellow Pages under "lawn mowers" for the name of a dealer near you.

If you need further assistance in finding an authorized Cub Cadet servicing dealer, contact:

**Cub Cadet Corporation
Post Office Box 368023
Cleveland, Ohio 44136**

How does state law apply?

This limited warranty gives you specific legal rights, and you may also have other rights which vary from state to state.